

# Digital Current Switch

## Applications

- HVAC
- Refrigeration
- Pumps
- Small Industrial Motors
- Fans
- Lighting

## CSS Series

### Features

- Solid Core Design
- Adjustable Switch Setpoints
- Switch Led Indication
- Relay Led Indication
- Over/Under Current Sensing
- Snap on Power Relay

## CSC Series

### Features

- Clamped/Split Core Design
- Adjustable Switch Setpoints
- Switch LED Indication
- Relay LED Indication
- Over/Under Current Sensing
- Snap on Power Relay

## Benefits

- Low Cost Solution
- Self Powered
- Simple Installation
- Accurate Fixed Setpoint Models, No Guessing at Switchover Current

**setra**  
ISO-9001 Certified

**800-257-3872**

Visit Setra Online:  
<http://www.setra.com>



## CSS Series

### Solid Core Current Switches

The CSS models are ideal for new installations and provide the greatest savings opportunity. Ideal for direct drive units, small exhaust fans, and other fixed loads, these solid state switches have accurate, very low fixed or user adjustable setpoints, which are activated when the desired amperage is reached. The adjustable CSSGA2100NN and CSSGA2100R1 units have LED's which indicate switch status. (User can also adjust the setpoint for over or under loads.) Excitation is magnetically induced from current carrying conductor (wire or cable), making these units completely self-powered.

The CSS Series, solid core, current switch's convenient wide orifice allows easy pass through of the conductor, and is bundled with a mounting bracket and hardware, making installation easy.

Model CSSGA2100R1 is equipped with a snap-on power relay for remote motor startup.

### CSS Series (Current Switch Solid) Specifications

*Specifications are subject to change without notice.*

MODEL	CSSGFN025NN	CSSGA2100NN	CSSGA2100R1 w/snap-on relay
Amperage Range	0.25 to 200 A	1.00 to 135 A	1.00 to 135 A
Continuous Operating Current	200 A, 600 V AC	125 A, 600 V AC	135 A, 600 V AC
Switch Setpoint	Fixed	Adjustable	Adjustable
Output Relay	No	No	SPST, NO. 10 A @ 260 V AC, 5 A @ 30 V DC
Actuation Coil	No	No	24 V AC/DC
Switch LED Indication	No	Yes	Yes
Relay LED Indication	No	No	Yes
Trip Setpoint Value	0.25 A	1.00 to 135 A	1.00 to 135 A
Current Switching Mode	Under Current Sensing	Over/Under Current Sensing	Over/Under current Sensing
Dimensions	2.54 x 1.85 x 0.98 in. (65 x 47 x 25 mm)	2.54 x 1.85 x 0.98 in. (65 x 47 x 25 mm)	2.54 x 2.56 x 1.56 in. (65 x 65 x 40 mm)
Aperture (Sensing Hole Size)	0.71 in. Dia. (18 mm Dia.)		
Sensor Supply Voltage	Induced from power conductor cable		
Status Output	Switch normally open		
Switch Load Capacity	1 A @ 30 V AC/DC max.		
Isolation Voltage	600 V AC ms		
Temperature Range	5 to 140°F (-15 to 60°C)		
Frequency Range	50/60 Hz		
Humidity Range	0 to 95% non-condensing		
Agency Approvals	CE Compliant, RoHS Compliant, c-UL Listed: 508, IND. Cont. EQ: E317719		



## CSC Series

### Split Core Current Switches

A significant increase or decrease in operating current may result in motor, belt loss, slippage, or mechanical failure, which could jeopardize the user's process. The split core design of the Model CSC is an ideal solution, as it can easily be clamped onto existing power cables or wires.

These units are offered with industry standard 135 Amp or 200 Amp output and very low fixed or adjustable setpoints, which are activated when the desired amperage is reached. Model CSCGA2125NN and CSCGA2125R1 include LEDs for indication of switch status. (Setpoint can be adjusted for over or under loads.)

Model CSCG FN150R1 and CSCGA2125R1 are equipped with a snap-on power relay for remote motor startup.

### CSC Series (Current Switch Clamped) Specifications

*Specifications are subject to change without notice.*

MODEL	CSCGFN015NN CSCGFN150NN	CSCGA2125NN	CSCGFN150R1 w/snap-on relay	CSCGA2125R1 w/snap-on relay
Amperage Range	0.15 to 200 A/ 1.5 to 200 A	1.25 to 135 A	1.5 to 200 A	1.25 to 135 A
Continuous Operating Current	200 A, 600 V AC/ 200 A, 600 V AC	135 A, 600 V AC	200 A, 600 V AC	135 A, 600 V AC
Switch Setpoint	Fixed	Adjustable	Fixed	Adjustable
Output Relay	No	No	SPST.NO 10 A @ 260 V AC, 5 A @ 30 VDC	SPST. NO 10 A @ 260 V AC, 5 A @ 30 V DC
Actuation Coil	No	No	24 V AC/DC	24 V AC/DC
Switch LED Indication	No	Yes	No	Yes
Relay LED Indication	No	No	Yes	Yes
Trip Setpoint Value	0.15 A/1.5 A	1.25 to 135 A	1.5 A	1.25 to 135 A
Current Switching Mode	Under current sensing	Over/Under current sensing	Under current sensing	Over/Under current sensing
Dimensions	2.7 x 2.56 x 1.08 in. (69 x 65 x 27 mm)	2.7 x 2.56 x 1.08 in. (69 x 65 x 27 mm)	2.7 x 2.56 x 1.73 in. (69 x 65 x 44 mm)	2.7 x 2.56 x 1.73 in. (69 x 65 x 44 mm)
Aperture Size	0.72 x 0.78 in. (18 x 20 mm)			
Sensor Supply Voltage	Induced from power conductor cable			
Status Output	Switch normally open			
Switch Load Capacity	1 A @ 30 V AC/DC max.			
Isolation Voltage	600 V AC rms.			
Temperature Range	5 to 140 °F (-15 to 60 °C)			
Frequency Range	50/60 Hz			
Humidity Range	0 to 95% non-condensing			
Agency Approvals	CE Compliant. RoHS Compliant, c-UL Listed: 508., IND. Cont. EQ: E317719			

## Applications

- HVAC
- Refrigeration
- Pumps
- Small Industrial Motors
- Fans
- Lighting

## CSS Series

### Features

- Solid Core Design
- Adjustable Switch Setpoints
- Switch Led Indication
- Relay Led Indication
- Over/Under Current Sensing
- Snap on Power Relay

## CSC Series

### Features

- Clamped/Split Core Design
- Adjustable Switch Setpoints
- Switch LED Indication
- Relay LED Indication
- Over/Under Current Sensing
- Snap on Power Relay

## Benefits

- Low Cost Solution
- Self Powered
- Simple Installation
- Accurate Fixed Setpoint Models, No Guessing at Switchover Current

**setra**  
ISO-9001 Certified

**800-257-3872**

Visit Setra Online:  
<http://www.setra.com>

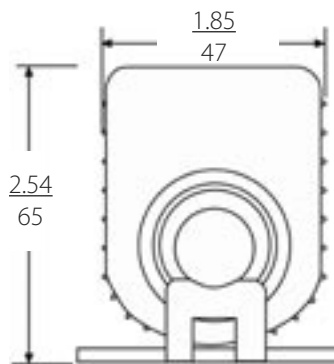
# Outline Drawings



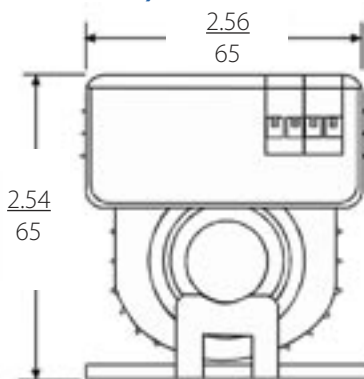
## CAUTION, RISK of ELECTRIC SHOCK

Disconnect power supply before making electrical connections. Contact with components carrying hazardous voltage can cause electrical shock and may result in severe personal injury or death.

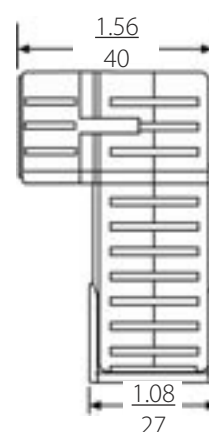
### CSS Series (Current Switch Solid)



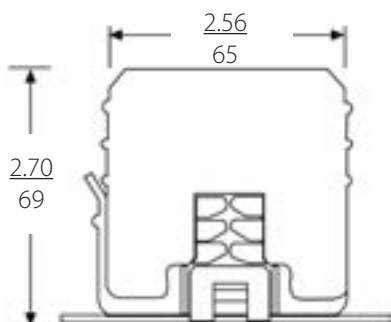
*Models*  
CSSGFN025NN  
CSSGA2100NN



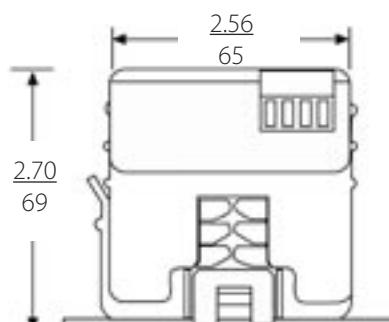
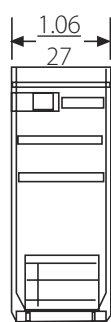
*Models*  
CSSGA2100R1



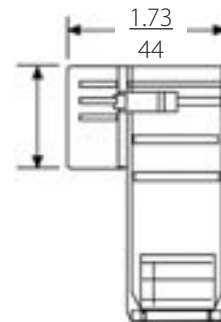
### CSC Series (Current Switch Clamped)



*Models*  
CSCGFN015NN  
CSCGFN150NN  
CSCGA2125NN



*Models*  
CSCGFN150R1  
CSCGA2125R1



**in.**  
**mm**

## ORDERING INFORMATION

### Model CSS Series (Current Switch Solid)

#### Model No.

CSSGFN025NN  
CSSGA2100NN  
CSSGA2100R1

#### Description

Model CSS, Fixed Setpoint, No LED, 0.25 A Setpoint, No Snap-on Power Relay  
Model CSS, Adjustable Setpoint, with LED, 1.00 A Setpoint, No Snap-on Power Relay  
Model CSS, Adjustable Setpoint, with LED, 1.00 A Setpoint, with Snap-on Power Relay

### Model CSC Series (Current Switch Clamped)

#### Model No.

CSCGFN015NN  
CSCGFN150NN  
CSCGA2125NN  
CSCGFN150R1  
CSCGA2125R1

#### Description

Model CSC, Fixed Setpoint, No LED, 0.15 A Setpoint, No Snap-on Power Relay  
Model CSC, Fixed Setpoint, No LED, 1.50 A Setpoint, No Snap-on Power Relay  
Model CSC, Adjustable Setpoint, with LED, 1.25 A Setpoint, No Snap on Power Relay  
Model CSC, Fixed Setpoint, No LED, 1.50 A Setpoint, with Snap-on Power Relay  
Model CSC, Adjustable Setpoint, with LED, 1.25 A Setpoint, with Snap-on Power Relay

† Contact factory to order power relay separately.